

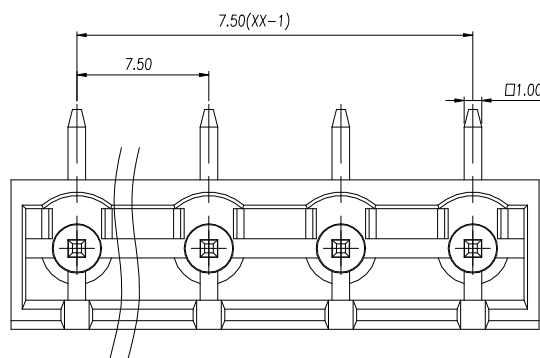
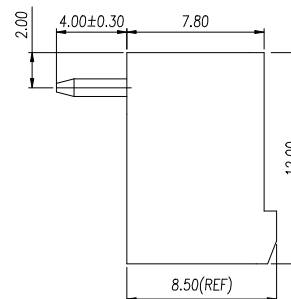
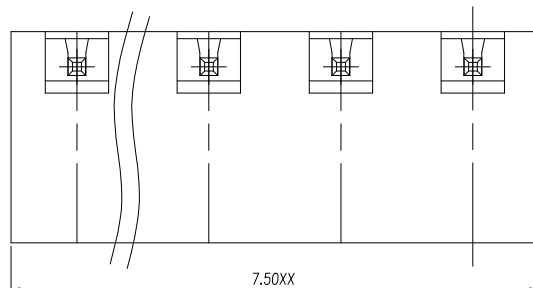
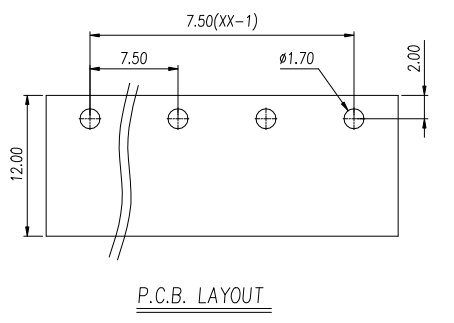


慈溪市万捷电子有限公司

CIXI WANJIE ELECTRONIC CO., LTD

REVISION RECORD

REV.	DESCRIPTION	ECN No.	APPROVED	DATE



UL/CUL 技术参数		UL/CUL Technical Data			
等级	Use Group	B	C	D	
额定电压	Rated Voltage [V]	300	-	300	
额定电流	Rated Current [A]	15	-	10	
接线范围	Wire Range				
单/多芯线	Solid/Stranded [AWG]				-
耐电压	Withstanding Voltage				1600V/1Min
IEC 技术参数		IEC Technical Data			
过电压类别	Overvoltage Category	III	III	II	
污染等级	Contamination Class	3	2	2	
额定电压	Rated Voltage [V]	400	630	630	
额定电流	Rated Current [A]	10	10	10	
额定冲击电压	Impulse withstand voltage [KV]	6.0	6.0	6.0	
导线截面积	Conductor cross section				-
硬质/柔性导线	Solid/ flexible [mm ²]				
材料		Material			
绝缘材料	Insulation Material				PA66
阻燃等级	Imflammability				UL94V-0
导体材料	Contacto Material				铜合金 Copper alloy
导体表面镀层	Contactive Coating				镀锡 Sn Plated
一般参数		Other Data			
间距	Pitch /极数 Poles [mm] / [P]				7.5 / 02-24
剥线长度	Stripping Length [mm]				-
螺丝	Screw/扭矩 Torque(Max) [N.m]				-
工作温度	Operating temperature [°C]				-40~105
焊锡温度	Soldering temperature				260°C/5S
引针尺寸	Pin Dimensions [mm]				1.0*1.0
PCB板孔径	PCB Hole Diameter [mm]				ø1.7

linear dimension(Tolerances Standard GB/T 14486-2008)



variable range	to 6	over 6 to 10	over 10 to 30	over 30 to 60	over 60 to 100	over 100 to 160	to 10	over 10 to 100	over 100 to 1000
tolerance	±0.20	±0.30	±0.50	±0.70	±1.00	±1.30 ±1.60	0.10	0.30	0.60

单位/UNITS	mm	尺寸/ SIZE	A4	比例/ SCALE	5:2	第三视角/THIRD ANGLE PROJECTION	版本/ REV	V0
						名称/ TITLE	WJ2EDGRC-7.5-XXP-1YY-00A	
						慈溪市万捷电子有限公司 CIXI WANJIE ELECTRONIC CO., LTD		